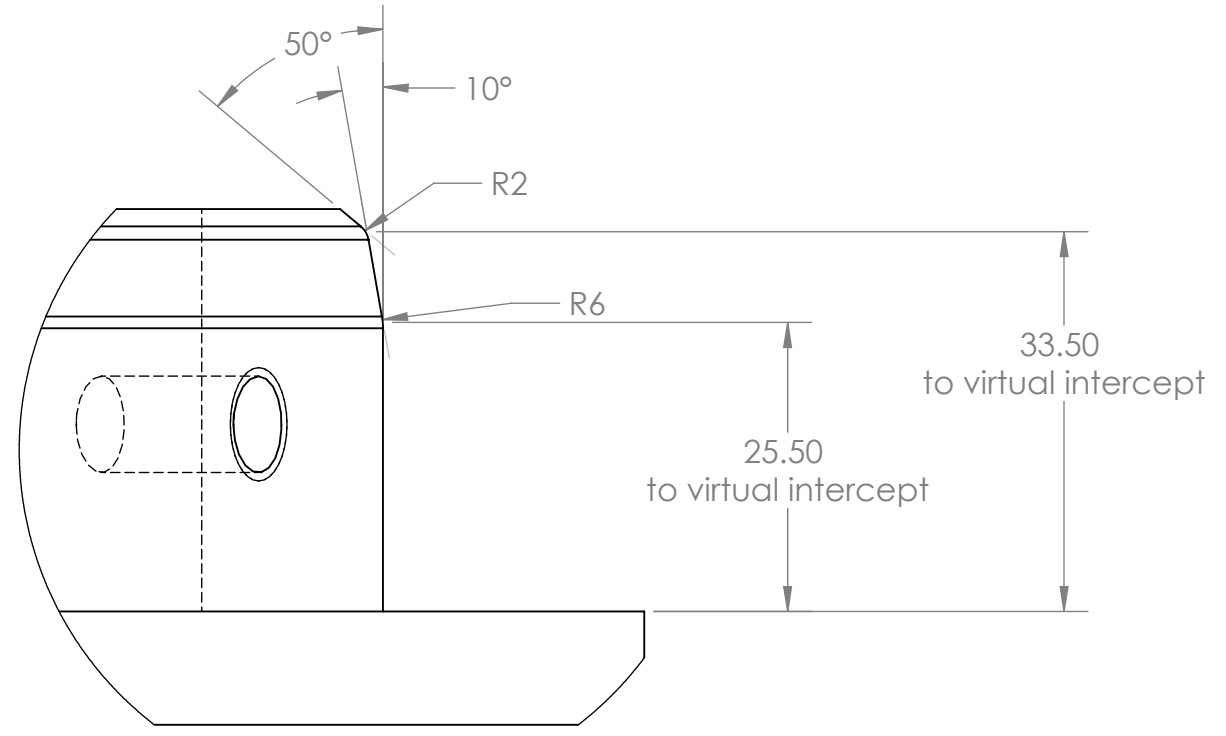
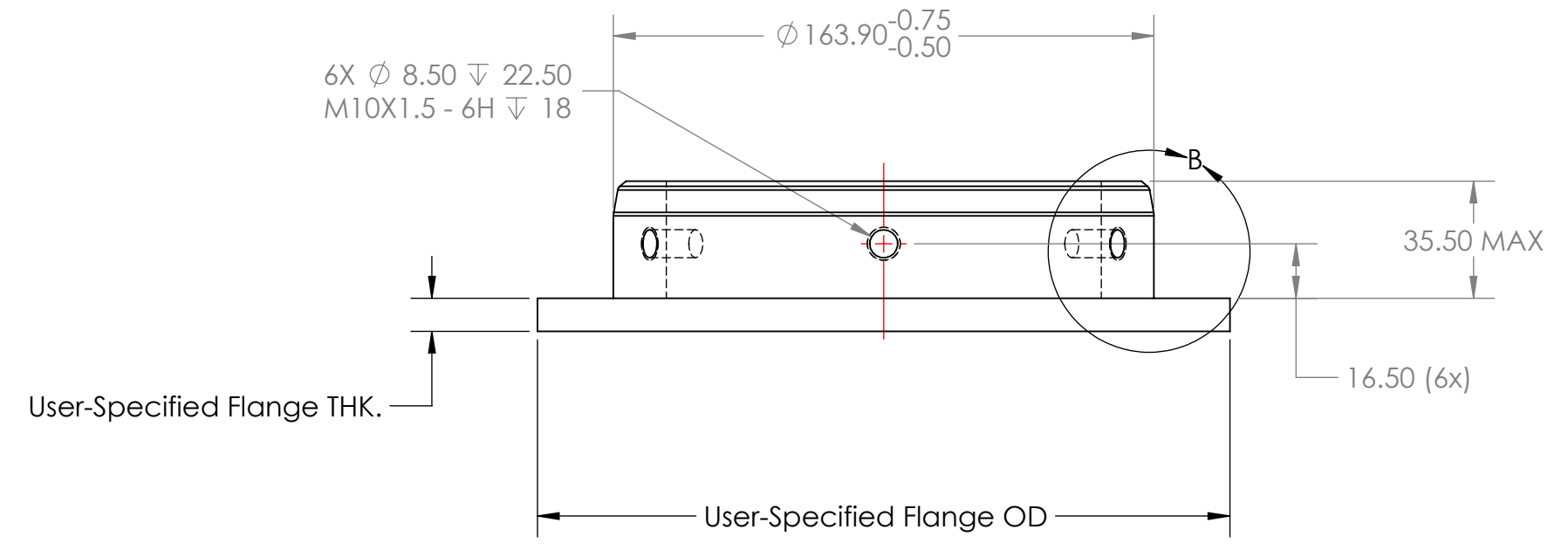
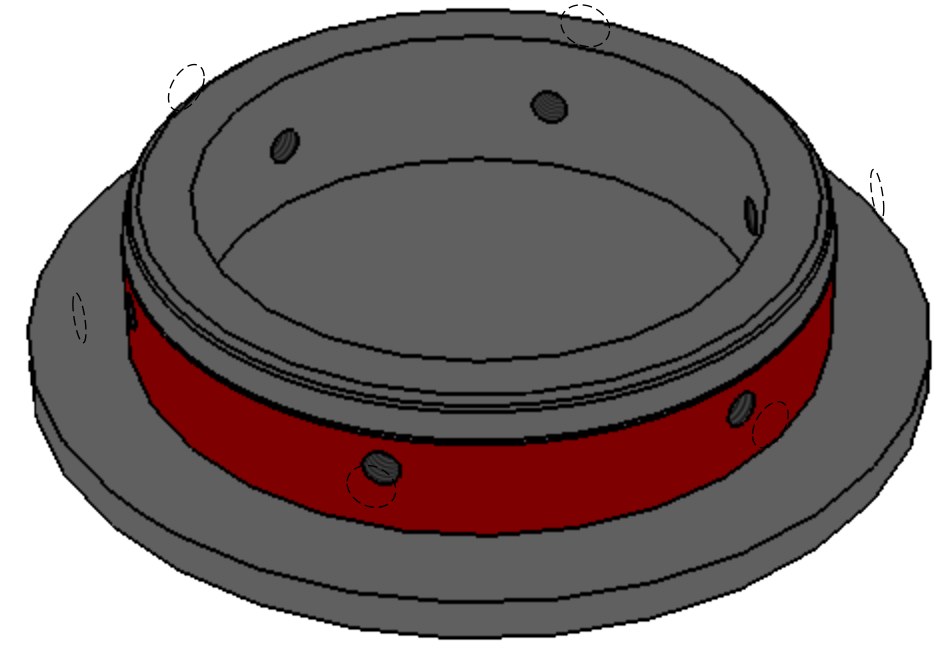


SECTION A-A



DETAIL B



**PROPRIETARY AND CONFIDENTIAL**  
THE INFORMATION CONTAINED IN THIS DRAWING IS THE SOLE PROPERTY OF CELESTRON, LLC. ANY REPRODUCTION IN PART OR AS A WHOLE WITHOUT THE WRITTEN PERMISSION OF CELESTRON, LLC IS PROHIBITED.

UNLESS OTHERWISE SPECIFIED: DIMENSIONS ARE IN MILLIMETER TOLERANCES: FRACTIONAL ± ANGULAR: MACH ±0.50 TWO PLACE DECIMAL ±0.30 THREE PLACE DECIMAL ±0.005	NAME DRAWN TC CHECKED RG ENG APPR. MFG APPR. Q.A. COMMENTS: Machined	DATE 9/13/16 9/13/16
INTERPRET GEOMETRIC TOLERANCING PER: MATERIAL FINISH DO NOT SCALE DRAWING		

<b>CELESTRON</b> 2835 Columbia St. Torrance, CA 90503	
TITLE: <b>Pier Adapter</b>	
SIZE <b>C</b>	DWG. NO. CGX001
SCALE: 1:2	WEIGHT: SHEET 1 OF 1